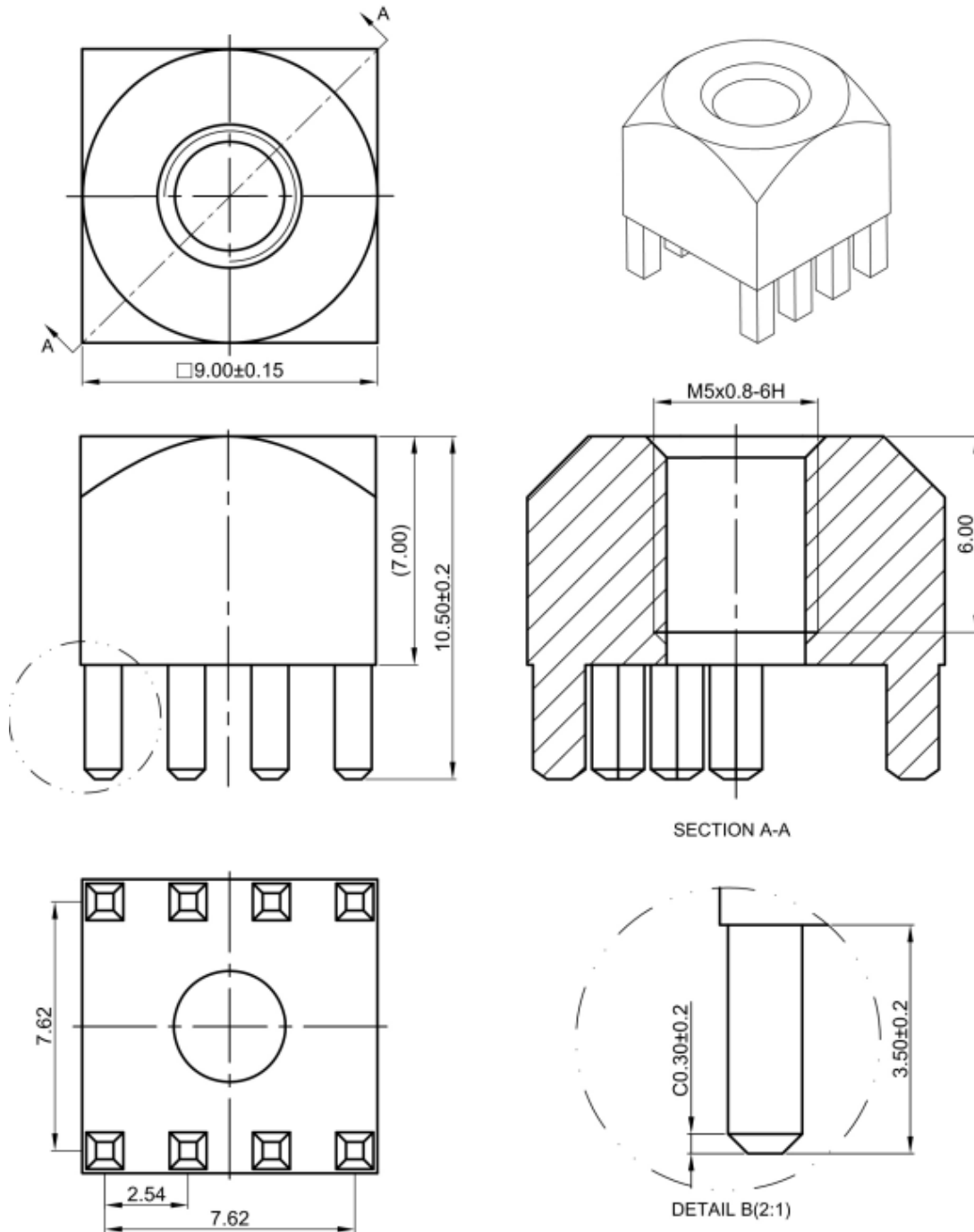


PCB Connector, Press-fit

SPF0103-M5

Drawing



PCB Connector, Press-fit

SPF0103-M5

Properties	Description
Material	Brass C3604
Finish	Tin Plated
Dimensions	According to drawing
Thread size	M5
Rated Current	160 A
Tightening Torque	2.2 Nm
Drill Hole dia	1.6 mm
Final Hole dia	1.475 mm
PCB thickness	1.6 - 3.2 Mm min - max
Heat Resistance	-55 up to 150 °C
Retaining Force	min 30N per pin As per IEC352-5
Press fit force	max 250N – min 40N per pin As per IEC352-5
Weight	3.9708 Gram

Ordering information

Ordering can be done via www.summit-electronics.com or via info@summit-electronics.com. Please contact us for more information. Customisation of the product is available on request.

Technical support

For all product questions please contact us via info@summit-electronics.com

Document revision

Rev	Date	changes
2023v1	06-04-2023	First issue of document